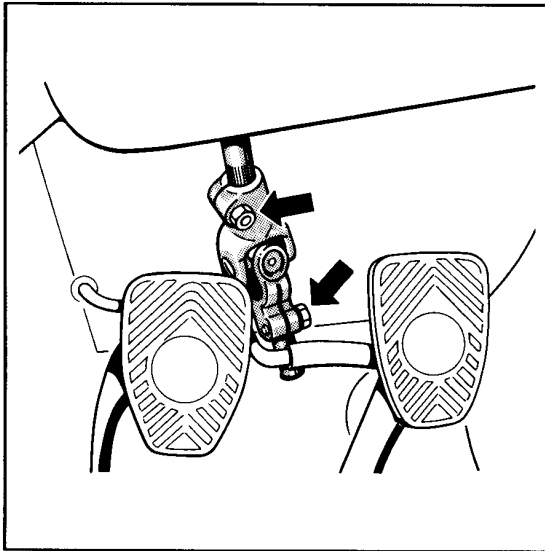


## Removing and installing front-axle final drive

### Removing

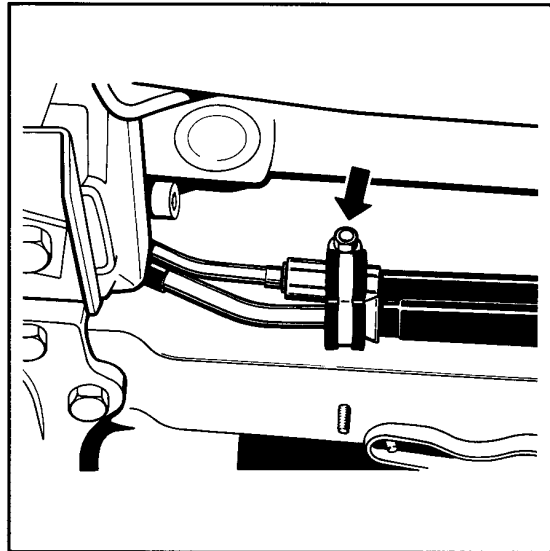
1. Raise vehicle at jacking points.
2. Remove floor panel from pedal assembly.
3. Remove both universal-joint clamping screws between steering gear and steering shaft and pull joint upwards.



244-39

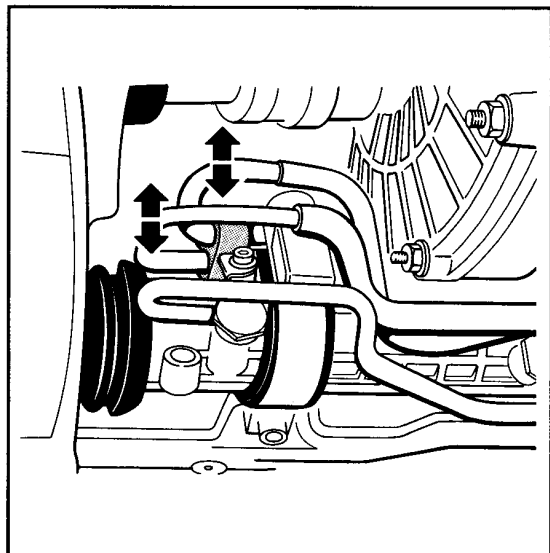
4. Remove front and middle floor panels.

5. Remove retaining clamp from power-steering lines.



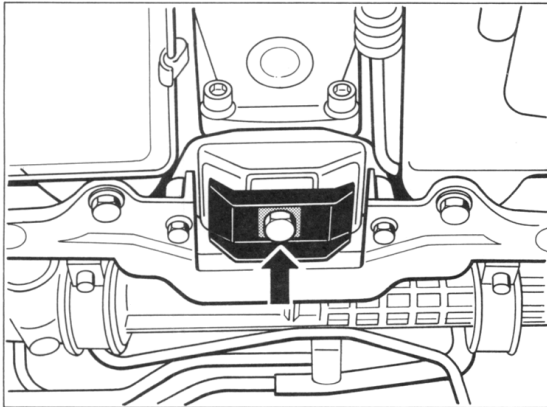
245-39

6. Unclip power-steering lines from holder.



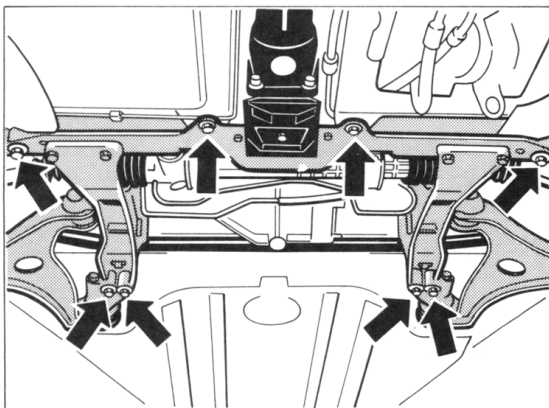
246-39

7. Undo transmission-bearing screw.



247-39

8. Undo hexagon head screws from front-axle cross members and side members and drop front axle.



248-39

9. Remove stabilizer.

10. Undo drive shaft at flange from front-axle final drive.

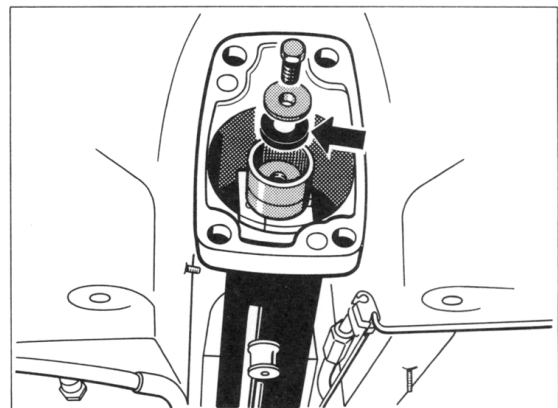
11. Undo Allen screw from front central-shaft clamping sleeve and slide clamping sleeve along central shaft to the rear.

12. Undo upper fastening screws for central tube - front-axle final drive - by pressing central pipe to one side with a suitable tool. (Do not damage lines).

13. Position gearbox lever underneath, undo central pipe fastening screws and remove transmission.

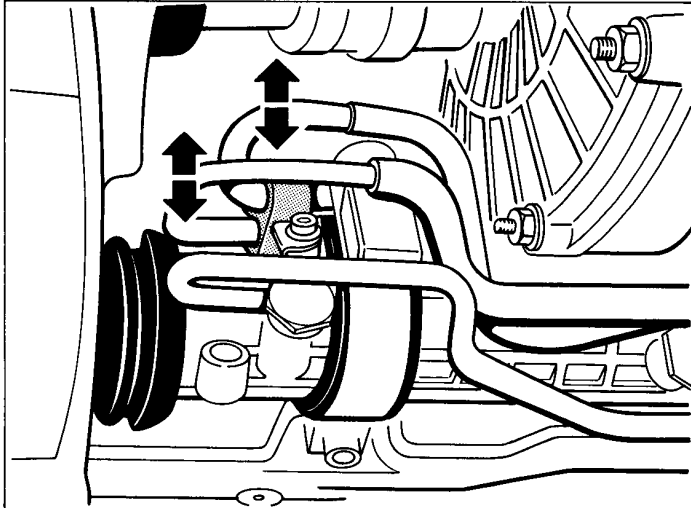
#### Installing

1. The rubber seal (arrow) must be replaced on the facing surface of the central shaft before installing the front-axle final drive. Apply glycerine to sealing disk before assembly. Tightening torque for hexagon head screws (M 6 x 12) 10 Nm (7.5 ft.lb.)



348-39

2. Check transmission oil and fill up if necess.
3. Clip lines into holder.
4. Align front axle.



246-39

### Tightening torques: Removing and installing front-axle final drive

Location	Thread	Tightening torque Nm (ft.lb.)
Rubber sealing disk (in area of clamping sleeve)	M 6	10 (7.5)
Central pipe to transmission	M 12	85 (62.5)
Clamping sleeve to central shaft	M 10	75 (55)
Drive shaft to transmission	M 8	42 (31)
Stabilizer to side member	M 8	23 (17)
Stabilizer to stabilizer mounting	M 10	46 (34)
Cross member to chassis outside	M 12	85 (62.5)
inside	M 10	46 (34)
Trailing arm to chassis (front)	M 12	85 (62.5)
Universal joint to steering gear and steering shaft	M 8	23 (17)
Wheel to hub	M 14	130 (96)